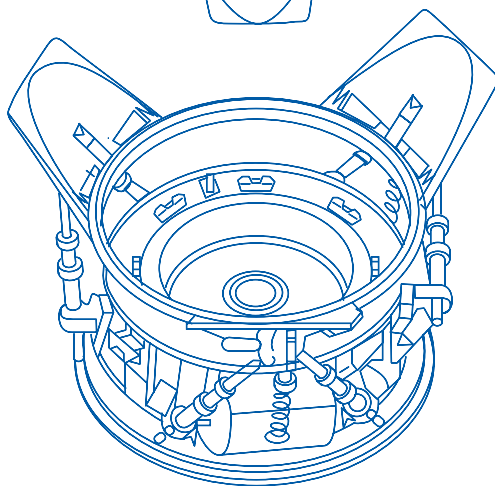
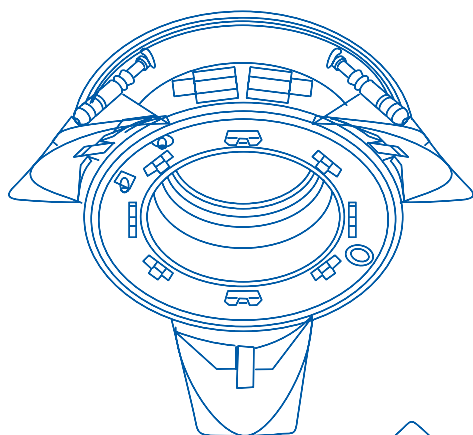


# COCKTAILS



## MILKY WAY

### ALPHA

ORION Blackcurrant syrup, aperitif, brandy, cherry juice	140 ml	850.-
PERSEUS Bourbon, pineapple liqueur, grapefruit juice, cinnamon syrup	150 ml	950.-
SAGITTARIUS Akvavit, peach aperitif, lychee liqueur	81 ml	1350.-

### BETA

NX-01 Bourbon, Limoncello, mandarin puree, caramel syrup, lemon juice	150 ml	1350.-
OLYMPUS Buckwheat vodka, honey syrup, lemon juice, ginger, quillaia extract	112 ml	850.-
KEEL Vodka, ginger and lemon juice, honey syrup, kvass	261 ml	850.-

### GAMMA

IDRAN Lemongrass – ginger gin, lemon juice, homestyle syrup, prosecco	140 ml	850.-
QUADRA Saffron schnapps, orange liqueur, lemon juice, kumquat, basil	130 ml	1250.-
CORE Peach puree, mint syrup, prosecco	135 ml	850.-

### DELTA

M-14 Rum, passion fruit puree, orange juice, lemon juice, homestyle syrup, protein	100 ml	950.-
M-80 Vodka, sake, lime/yuzu, elderberry, protein	150 ml	950.-

ALL PRICES ARE IN RUBLES. VAT IS CHARGED 0%.

PAYMENT IS ACCEPTED IN CASH OR MAJOR CREDIT CARDS

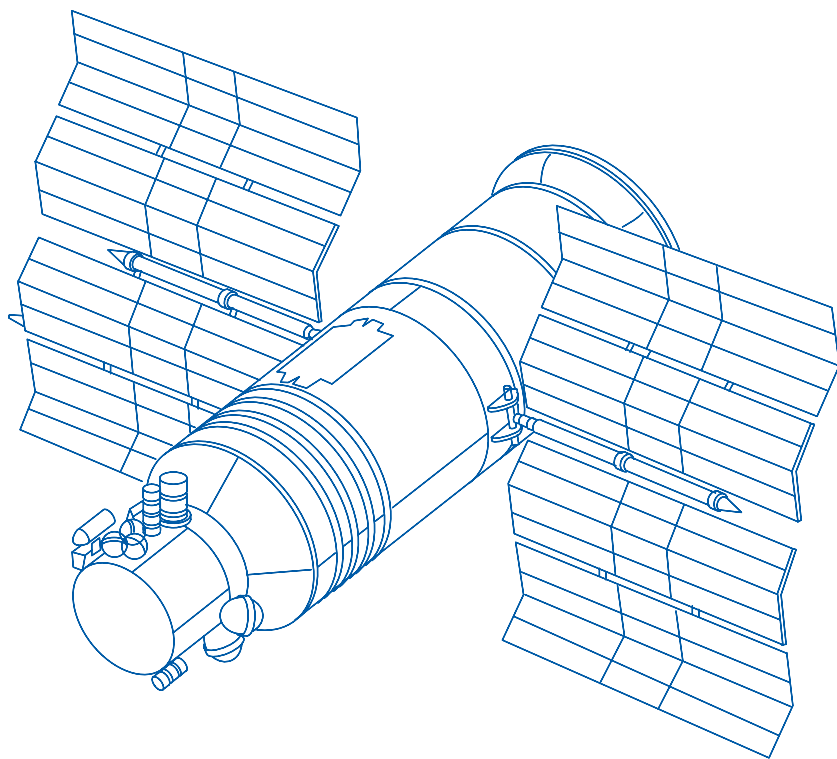
## CLASSICS

<b>APEROL SPRITZ</b> Crispy mix-drink where a light bitter Aperol is mixed with a good portion of sparkling wine	280 ml	850.-
<b>KIR ROYALE</b> Aperitif cocktail based on black currant liqueur and dry sparkling wine	100 ml	850.-
<b>CLOVER CLUB</b> Gin, lemon juice, and raspberry syrup. Sour and fragrant	100 ml	850.-
<b>AVIATION</b> Dry gin is vividly intertwined with cherry and violet liqueur. The balance is tilted towards the sour part	100 ml	850.-
<b>ARNO</b> It seems there are simple ingredients: gin, dry vermouth and currant liqueur, but the balance is stunning	150 ml	850.-
<b>NEGRONI</b> Sweet, bitter, strong. Although you yourself know everything	120 ml	850.-
<b>DRY MARTINI</b> Dry, slightly bitter and very hard	80 ml	850.-
<b>COSMOPOLITAN</b> Modern classics. Cocktail based on vodka, citrus liqueur, lemon and cranberry juice	120 ml	850.-
<b>MARGARITA</b> Tequila-based cocktail with lime juice and cointreau liqueur, wich popularity has not faded since its appearance. One of Modern classics drinks. In 1952 it was included in the number of cocktails of the Association of Bartenders of the world, and February 22 became the Margarita Cocktail Day	100 ml	850.-
<b>DAIQUIRI</b> Rum-based tropical cocktail with lime	100 ml	850.-
<b>DAIQUIRI HEMINGWAY</b> A variation on the well-known Daiquiri, where rum and lime remain unchanged, but supplemented with wild cherry liqueur and fresh grapefruit juice	100 ml	850.-
<b>OLD FASHIONED</b> One of the first cocktails that climbed up the bar Olympus 200 years ago. Bourbon softened with soda water, sweetness of cane sugar light bitterness of classic aromatic bitter	80 ml	850.-
<b>ESPRESSO MARTINI</b> The most famous drink with coffee based on a portion of espresso, fortified with vodka, ennobled with coffee liqueur from Mexico	100 ml	850.-
<b>GRASSHOPPER</b> An unexpected combination of menthol and cocoa liqueurs with cream. Well whipped, served without ice	150 ml	850.-

## NON-ALCOHOLIC COCKTAILS

<b>AXIOM</b> Tonka beans, strawberry	100 ml	650.-
<b>RESORT</b> Banana, non-alcoholic herbal vermouth	100 ml	650.-
<b>BREATH</b> Peach, tarragon, kaffir lime	100 ml	650.-

All cocktails are made with Legend of Baikal water and are 99.9% natural



## APERITIF / DIGESTIVES

Martini Riserva Speciale Ambrato	100 ml	730.-
Martini Riserva Speciale Rubino	100 ml	730.-
Martini Rosato	100 ml	610.-
Martini Extra Dry	100 ml	610.-
Luxardo Amaro Abano	40 ml	610.-
Aperol Aperitivo	40 ml	610.-
Campari Bitter	40 ml	470.-
Fernet Branca	40 ml	490.-
Branca Menta	40 ml	470.-
Jägermeister	40 ml	470.-
Becherovka	40 ml	610.-
Beluga Hunting	40 ml	450.-
Limoncello	40 ml	590.-

## PORTO / SHERRY

Pocas Colheita 1996	75 ml	1990.-
Porto Tawny Infantado	75 ml	490.-
Pedro Ximenez Duquesa Special Reserves	75 ml	790.-
Valdespino Fino Inocente	75 ml	790.-
Valdespino Pedro Ximenez El Candado	75 ml	790.-
Valdespino Oloroso Solera 1842	75 ml	1350.-

## VODKA

ONEGIN	40 ml	390.-
Beluga Noble	40 ml	390.-
Beluga Gold Line	40 ml	670.-
Schmidt Supreme	40 ml	390.-
Spelta	40 ml	950.-

## BREAD WINE POLUGAR

Polugar Honey & Pepper	40 ml	630.-
Polugar Garlic & Pepper	40 ml	630.-
Polugar Juniper	40 ml	630.-
Polugar Brown Rye Bread with Caraway	40 ml	630.-
Polugar Horseradish	40 ml	630.-
Polugar Cherry	40 ml	690.-
Polugar Wheat	40 ml	690.-
Polugar Buckwheat	40 ml	870.-
Polugar Rye	40 ml	790.-
Polugar Rye Aged	40 ml	870.-

## TEQUILA / MEZCAL

Don Ramon Silver	40 ml	750.-
Don Ramon Reposado	40 ml	870.-
Don Ramon Anejo	40 ml	1150.-
Kah Anejo	40 ml	1150.-
Bruxo X	40 ml	950.-
Noble Coyote	40 ml	890.-

## GIN

London #1	40 ml	990.-
Botanist 22	40 ml	950.-
Hendrick's / Lunar / Neptunia	40 ml	1190.-
Sir Edmond	40 ml	950.-
Matsui The Hakuto	40 ml	990.-

## CALVADOS

Père Magloire VSOP	40 ml	810.-
Boulard XO	40 ml	2090.-

ALL PRICES ARE IN RUBLES. VAT IS CHARGED 0%.

PAYMENT IS ACCEPTED IN CASH OR MAJOR CREDIT CARDS

## COGNAC

### France

Hennessy XO	40 ml	3590.-
Hennessy VSOP	40 ml	1390.-
Martignac VS	40 ml	930.-
Courvoisier XO	40 ml	3590.-
Courvoisier VSOP	40 ml	1390.-
Courvoisier VS	40 ml	930.-
Remy Martin XO	40 ml	3370.-
Remy Martin 1738 Accord Royal	40 ml	1390.-
Camus XO	40 ml	3590.-
Camus VSOP	40 ml	1190.-

### Armenia

Ararat Nairi 20 Y.O.	40 ml	1390.-
Ararat Vaspurakan 15 Y.O.	40 ml	1190.-

## ARMAGNAC

Chevalier XO	40 ml	1550.-
--------------	-------	--------

## RUM / CACHACA

Zacapa XO	40 ml	2090.-
Zacapa 23	40 ml	1150.-
Barcelo Imperial Dark	40 ml	490.-
Plantation Pineapple	40 ml	690.-
Flor De Cana Extra Seco 4 Y.O.	40 ml	450.-
Cachaça 51	40 ml	690.-

## GRAPPA

Il Merlot di Nonino	40 ml	1100.-
Il Pirus di Nonino	40 ml	1990.-

# WHISKY

## Scotland

Auchentoshan American Oak	40 ml	790.-
Auchentoshan 12 Y.O.	40 ml	990.-
Auchentoshan Three Wood	40 ml	1290.-
Glenfiddich 12 Y.O.	40 ml	1190.-
Glenfiddich 15 Y.O.	40 ml	1910.-
Macallan 12 Y.O.	40 ml	1930.-
Monkey Shoulder	40 ml	950.-
Chivas Regal 12 Y.O.	40 ml	970.-
Chivas Regal 13 Y.O.	40 ml	1090.-
Chivas Regal 18 Y.O.	40 ml	1970.-
Talisker 10 Y.O.	40 ml	1090.-
Bruichladdich Port Charlotte 10 Y.O.	40 ml	1970.-
Smokehead	40 ml	1170.-

## Wales

Aber Falls	40 ml	510.-
------------	-------	-------

## Ireland

The Pogues	40 ml	450.-
Jameson	40 ml	590.-
Jameson Black Barrel	40 ml	670.-
Tullamore D.E.W.	40 ml	470.-
Bushmills	40 ml	470.-

## USA

Jim Beam	40 ml	390.-
Jim Beam Rye	40 ml	550.-
Jack Daniels	40 ml	630.-
Bulleit Bourbon Frontier	40 ml	750.-
Bulleit Rye	40 ml	750.-

## Japan

Akashi Sherry Cask Finish	40 ml	850.-
Matsui The San-In ex-Bourbon Barrel	40 ml	910.-
Nikka Days	40 ml	1510.-

ALL PRICES ARE IN RUBLES. VAT IS CHARGED 0%.

PAYMENT IS ACCEPTED IN CASH OR MAJOR CREDIT CARDS



## LIQUOR

Grand Marnier Cordon Rouge	40 ml	650.-
Frangelico	40 ml	650.-
Amaretto	40 ml	590.-
Drambuie	40 ml	650.-
Baileys	40 ml	650.-

## BEER

### **Bottled Beer**

Lefte Blonde	330 ml	790.-
Lefte Brune	330 ml	790.-
Spaten	450 ml	450.-
Stella Artois n/a	440 ml	290.-

## SOFT DRINKS

Coca-cola / Coca-cola zero /	330/250 ml	330.-
Fanta / Sprite / Tonic	330/250 ml	290.-
Red Bull	250 ml	450.-

### **Juice**

Assorted Rich juices	200 ml	290.-
----------------------	--------	-------

### **Fresh squeezed juice**

Orange / Grapefruit / Lemon /	200 ml	550.-
Apple / Carrot / Celery		
Pineapple	200 ml	750.-
Pomegranate	200 ml	1090.-

## SOFT DRINKS

### Mineral water

Legend of Baikal	330 ml	290.-
	500 ml	390.-
	750 ml	550.-

## TEA

Assam	500 ml	450.-
Earl Gray	500 ml	450.-
Pu'er	500 ml	550.-
Sencha	500 ml	450.-
Jasmine	500 ml	450.-
Milky Oolong	500 ml	550.-
Tie Guan Yin	500 ml	550.-
Ginseng Oolong	500 ml	550.-
Chamomile	500 ml	450.-
Willow-herb	500 ml	450.-
Mint	500 ml	450.-
Thyme	500 ml	450.-
Herbal Selection	500 ml	450.-

## TEA DRINKS

Sea Buckthorn	500 ml	590.-
Ginger	500 ml	590.-
Forester	500 ml	590.-
Berry Harvest	500 ml	710.-

## HOT COCKTAILS

Mulled Wine with prunes	250 ml	790.-
Irish Coffee	250 ml	790.-

ALL PRICES ARE IN RUBLES. VAT IS CHARGED 0%.

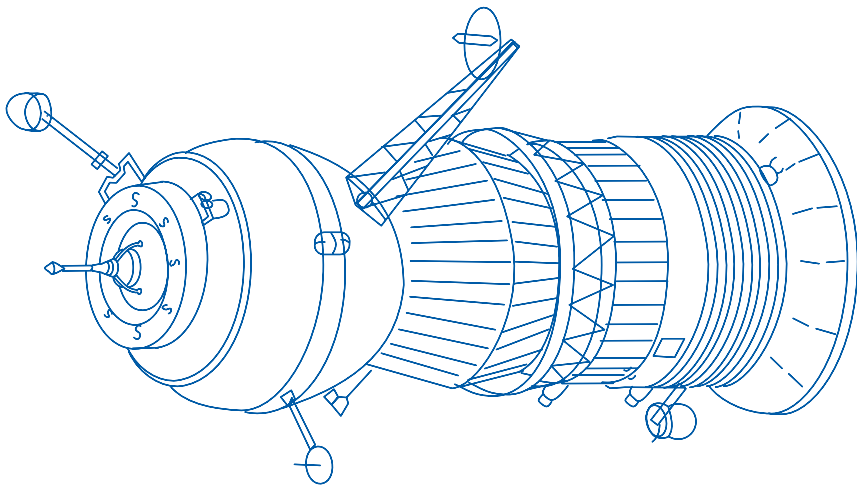
PAYMENT IS ACCEPTED IN CASH OR MAJOR CREDIT CARDS

## COFFEE

Ristretto	18 ml	170.-
Espresso	35 ml	170.-
Lungo	70 ml	170.-
Double Espresso	80 ml	390.-
Cappuccino	200 ml	370.-
Double Cappuccino	350 ml	470.-
Americano	180 ml	330.-
Double Americano	350 ml	430.-
Flat White	200 ml	470.-
Latte	200 ml	370.-
Matcha Latter	200 ml	470.-
Coffee with Ice Cream	200 ml	470.-
Classic Raf	200 ml	470.-
Hot Chocolate	150 ml	470.-
Cocoa	200 ml	450.-
Frappe	200 ml	370.-
Espresso Tonic	250 ml	430.-
Decaf	250 ml	330.-

## HOMEMADE LEMONADES

Berry	300 ml	470.-
Estragon	300 ml	470.-
Pear-Chamomile	300 ml	470.-
Citrus-Thyme	300 ml	470.-
Grapefruit-Ginger	300 ml	470.-
Strawberry-Sorrel	300 ml	470.-
Passion Fruit-Lychee	300 ml	470.-



ALL PRICES ARE IN RUBLES. VAT IS CHARGED 0%.

PAYMENT IS ACCEPTED IN CASH OR MAJOR CREDIT CARDS